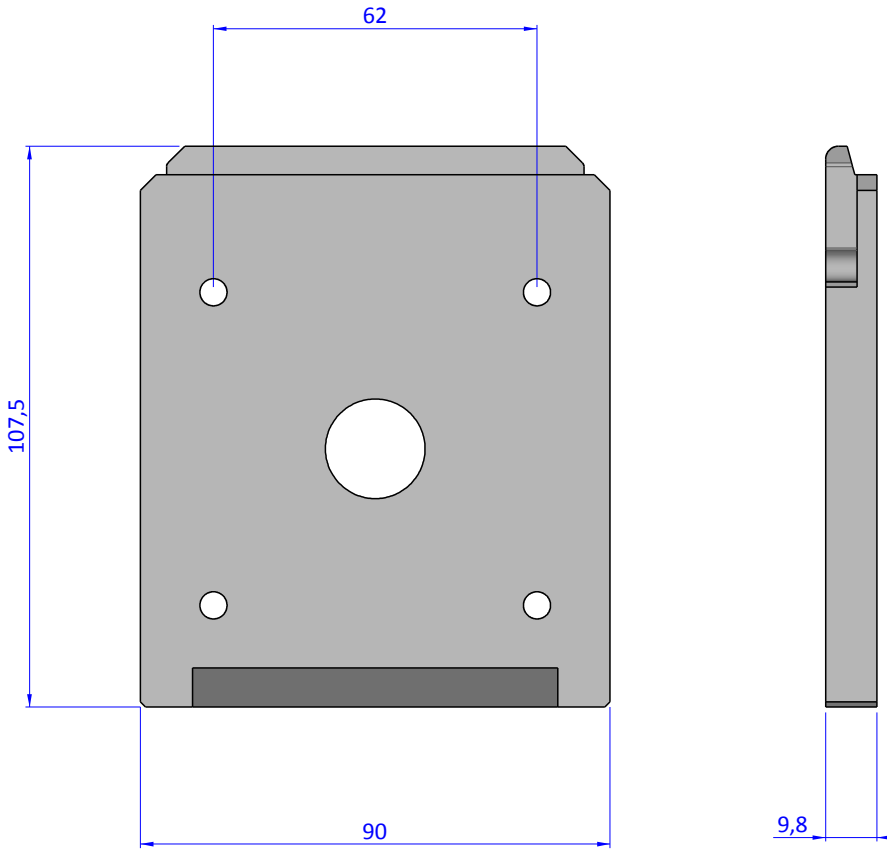
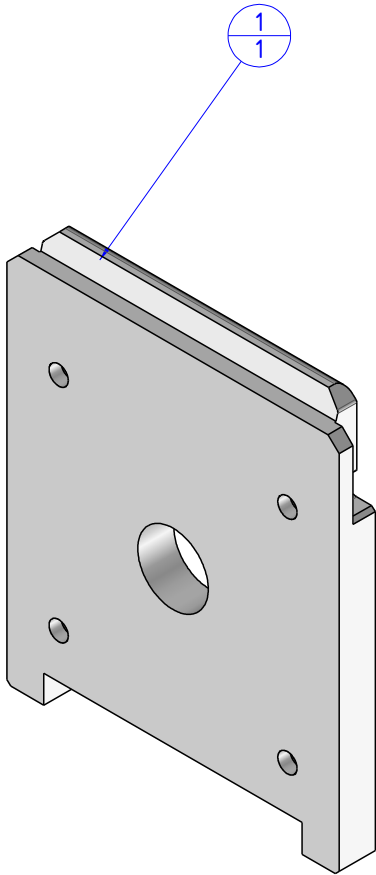


THE PROPERTY OF THE DRAWING IS ESTABLISHED BY LAW. IT IS FORBIDDEN TO PRODUCE OR SHOW IT TO THIRD PARTY, WITHOUT A WRITTEN AGREEMENT.

Item	Name	Q. ty
1	01.02.008	1



Format A3

UNI 936-76

FP SERVICES AUTOMATION			DESIGNED FROM FPSERVICES	REVIEW A / 4
GENERAL TOLERANCE UNI - ISO 2768 CLASSE f	DESCRIPTION CA.01.02.008		DATE 16/10/2018	WEIGHT 0,225kg
			CODE CA.01.02.008	